



MULTI DRUM TURNER

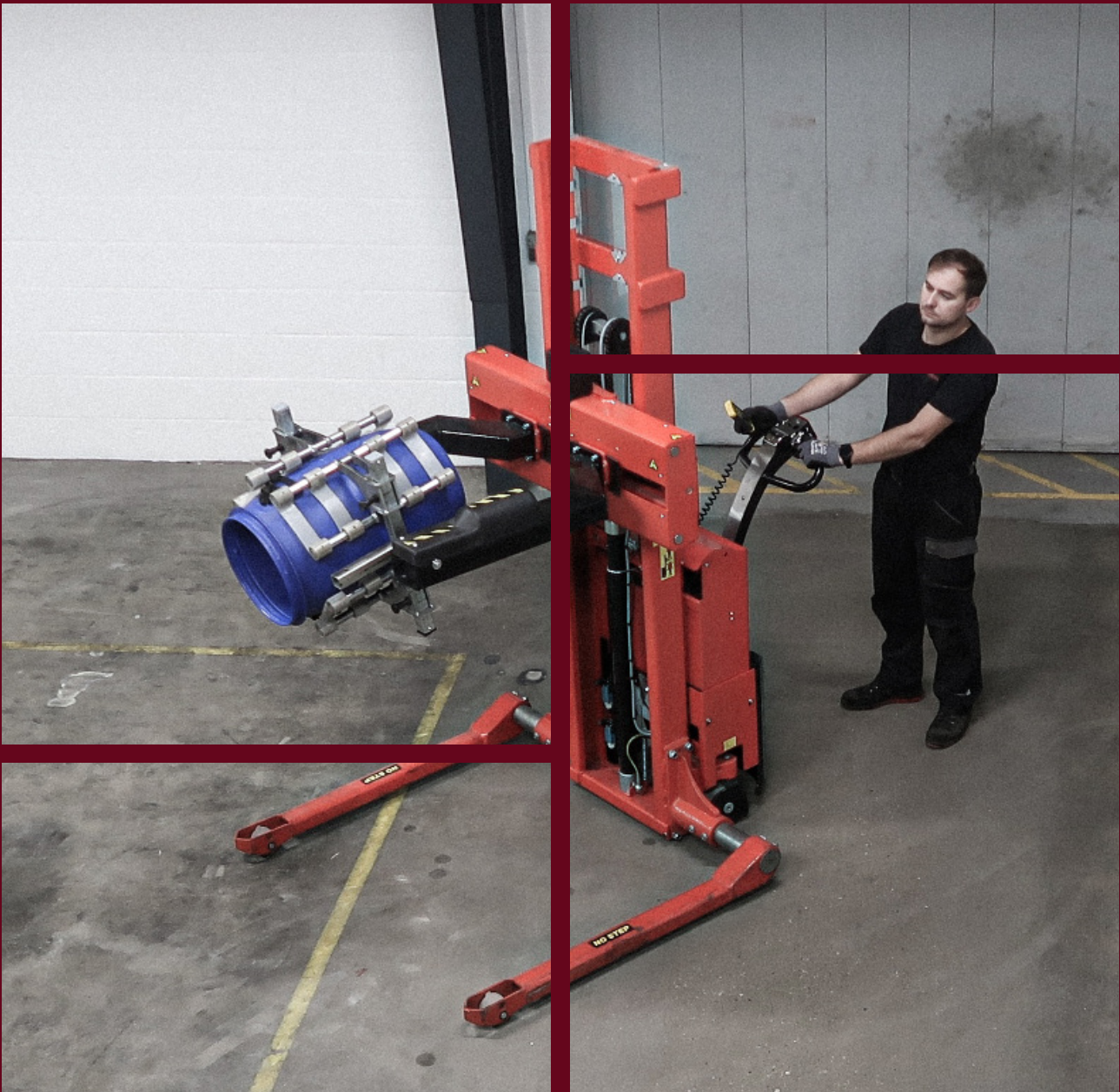
ELFMDT/ELFSMDT - SELFMDT/SELFSMDT - QDTA

MULTI DRUM TURNER

MULTI DRUM TURNER INOX

DRUM TURNER - MANUAL OR ELECTRIC





Multi drum turner - lift, turn and transport

With the multi drum turner you can lift, turn and transport various drums of all shapes and sizes.

The multi drum turner has two major advantages: it improves efficiency; and it reduces manual material handling.

To **improve efficiency**, you need to do more with less. With the multi drum turner, what once took two or more workers can now be done by clicking a button. With the attached remote control, you can handle the drums safely and precisely. In addition,

it is constructed with adjustable grippers, which makes it possible to handle many different dimensions with one machine.

Less **manual material handling** is good for your performance and the well-being of your workers. Besides being slow and inefficient, it is also exhausting and unsafe for your workers to manually lift and handle heavy drums. The multi drum turner

always comes with electrical clamping, lifting and rotation, and has several safety features and an ergonomic design.

The multi drum turner is well suited for various industries, such as pharmaceutical, cosmetics and food. And if you have special requests, we can also modify it to fit your specific situation.



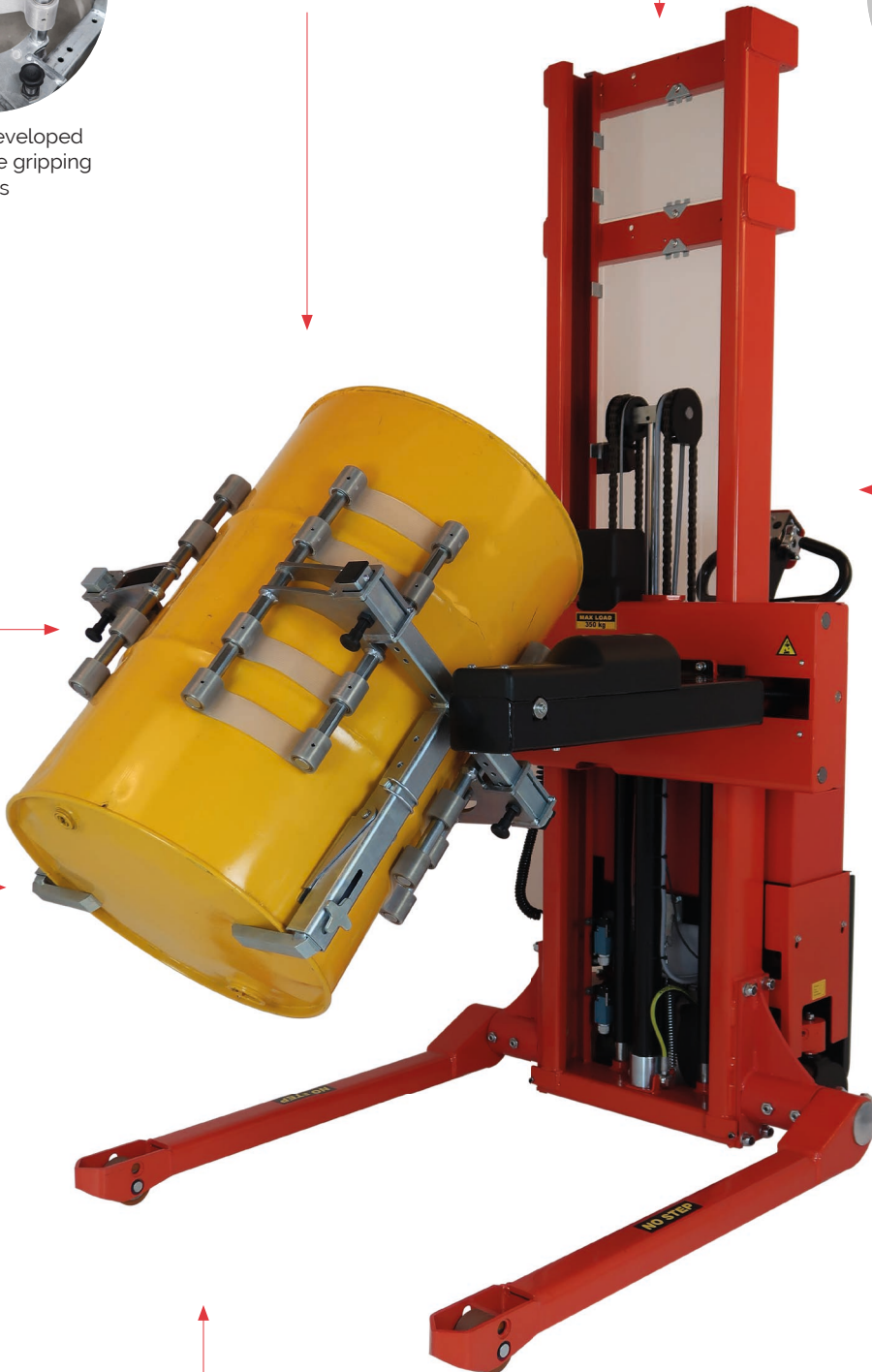
Specially developed polyurethane gripping pads

Handles steel, plastic, small, low, high, square, round drums, from Ø300 mm to Ø600 mm

Secured against opening by mistake (two-button-function)

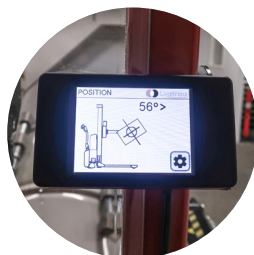


Remote control for electric clamping, lifting, lowering, and rotation



Safety clamps

Available with or without straddle legs



Intuitive screen to preset rotation angles and speed

Foot protectors and shielded chains



Ergonomically correct handle

Multi Drum Turner

The multi drum turner is available in an electric "push behind" version and a fully powered version, however regardless of the movement, it always comes with electrical rotation, lifting and clamping.

This protects the worker from unnecessary physical strain, and ensures precise, safe and efficient drum handling.

Both versions are available with straddle legs, which allows it to grab drums from closed pallets.

We use a special oil for all products, which is tested in cold atmospheres down to at least -10 degrees C.

Multi Drum Turner inox

Some work environments require equipment with a high hygienic level. For such situations, we offer our multi drum turner in stainless steel as a customised solution.

The machine is built in high quality stainless steel to avoid bacterial contamination.

Our multi drum turner inox is made for dry and clean environments.

*Please refer to our Inox brochure for more information.

We use a special oil for all products, which is tested in cold atmospheres down to at least -10 degrees C.

Drum turner – manual or electric

If you handle standard measured drums and only handle one type of drums, our Logiflex drum turner is a good match for you.

This drum turner can handle standard steel drums (DS/EN 210) and standard plastic drums (DS/EN 12707) in an ergonomic, safe and efficient way.

The manual drum turner is a part of our quick shift program for our Logiflex series. This means you can replace the drum turner with a boom, platform, crane arm, drum forks or regular forks.

We use a special oil for all products, which is tested in cold atmospheres down to at least -10 degrees C.

STANDARD FEATURES

Electric

- ✓ Hand brake
- ✓ Remote control
- ✓ Foot protector

Fully powered

- ✓ Motor brake
- ✓ Remote control
- ✓ Foot protector



Work in practice

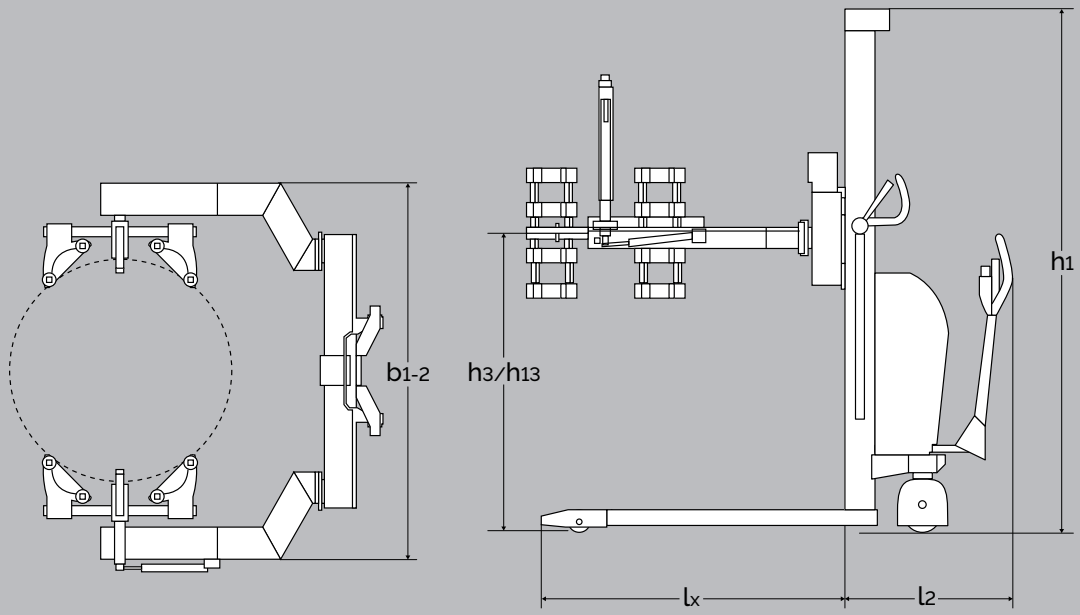
Flexibility is one of our core values at Logitrans, and the multi drum turner is a great example hereof. Not only is it perfect for handling various drums – the clamps can also grab around other elements, and the multi drum turner is therefore applicable in numerous situations.

If you have a unique situation that requires a special solution, we can also customise the machine to match your needs 100%.

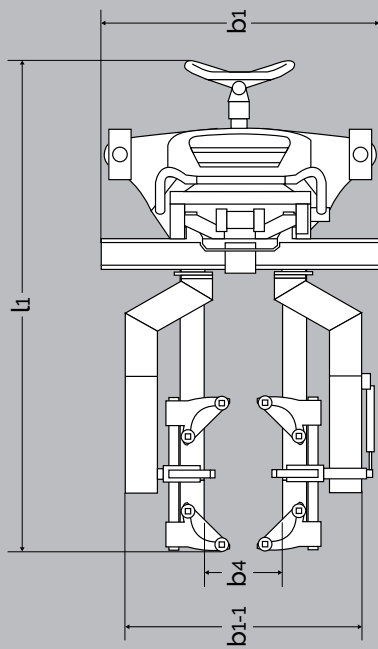
For instance, we have helped customers handle:

- **Garbage bins**
- **Heavy train wheels**
- **Car tires** (4 at the time)
- **Metal cabinets**
- **Big coils** in the aircraft industry
- **Large plastic** Palox
- **Ingredients** for spice productions

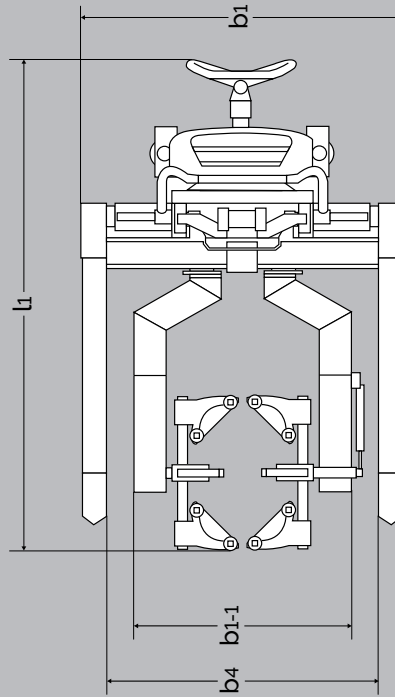




ELFMDT / ELFSMDT



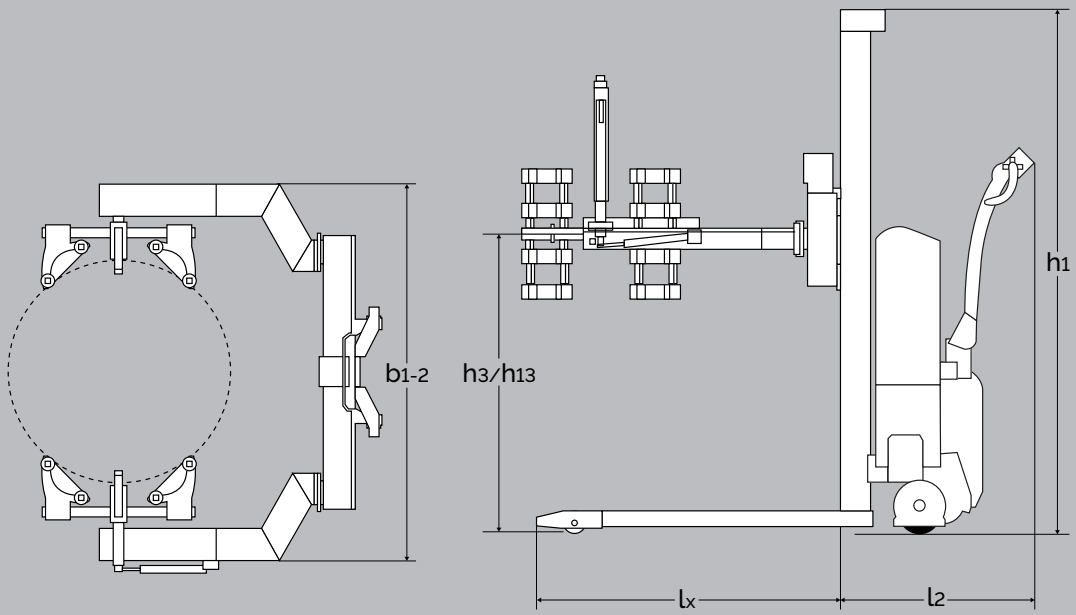
ELFMDT



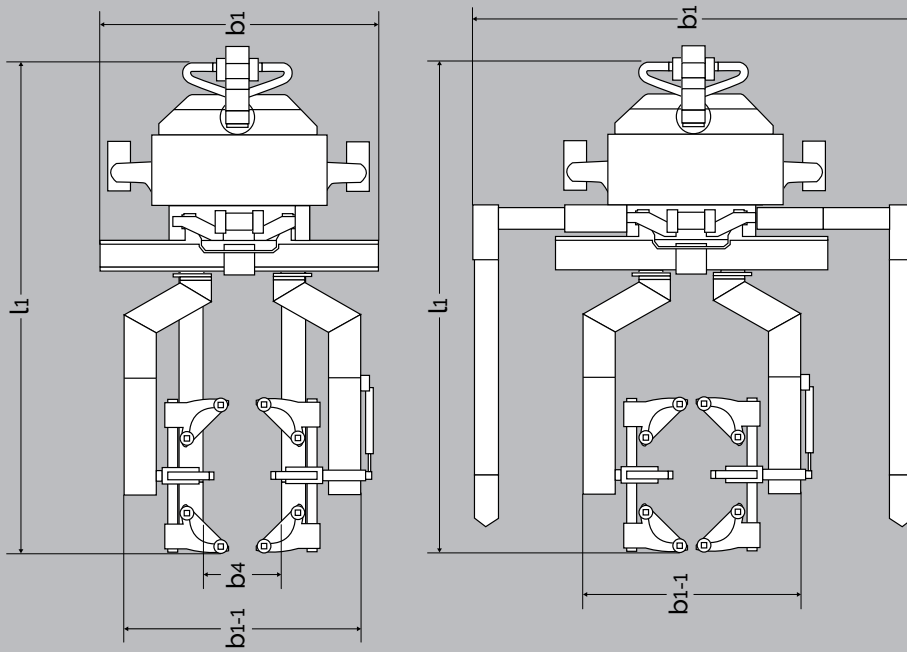
ELFSMDT

PRODUCT (measured in mm)		ELFMDT 1001	ELFMDT 1001	ELFSMDT 1001	ELFSMDT 1001
Capacity i kg		350 kg	350 kg	350 kg	350 kg
Drum diameter		Ø300 to Ø600			
Lifting height	h_3	1800	2100	1800	2100
Rotation function		360°		360°	
Overall height	h_1	1930	2240	1930	2240
Overall width	b_1	1000		166 + b_4	
Overall width arms min.	b_{1-1}	800		800	
Overall width arms max.	b_{1-2}	1400		1400	
Length without carriage	l_2	590		590	
Overall length	l_1	1830		1830	
Lowered height	h_{13}	400		400	
Width between legs	b_4	316		850 - 942, 942 - 1124, 1124 - 1306, 1240-1422	
Run-in length	l_x	1100		1100	
Turning angle of the wheels		180°		180°	
Pump motor		1.1 kW 12 V			
Lifting speed with/without load		0.05/0.07 m/s			
Lowering speed with/without load		0.12 / 0.04 m/s			
Weight in kg (no battery)		465 kg	473 kg	505 kg	513 kg

SPECIFICATIONS - MULTI DRUM TURNER ELFMDT + ELFSMDT



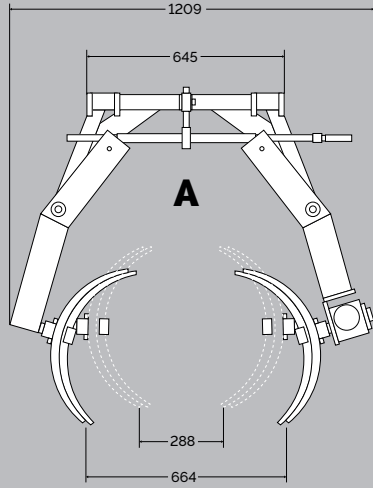
SELFMDT / SELFSDMT



SELFMDT

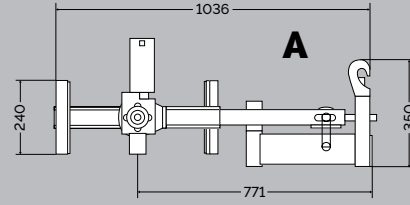
SELFSDMT

PRODUCT (measured in mm)		SELFMDT	SELFMDT	SELSMDT	SELSMDT
Capacity i kg		350 kg	350 kg	350 kg	350 kg
Drum diameter		Ø300 to Ø600			
Lifting height	h_3	1800	2100	1800	2100
Rotation function		360°		360°	
Overall height	h_1	1930	2240	1930	2240
Overall width	b_1	1000		166 + b_4	
Overall width arms min.	b_{1-1}	800		800	
Overall width arms max.	b_{1-2}	1400		1400	
Length without carriage	l_2	605		605	
Overall length	l_1	1830		1830	
Lowered height	h_{13}	400		400	
Width between legs	b_4	316	316	850 - 942, 942 - 1124, 1124 - 1306, 1240-1422	
Run-in length	l_x	1100		1100	
Turning angle of the wheels		210°		210°	
Driving motor		1,2 kW 24 V speed control electronically variable			
Driving speed with/without load		Below 500 mm lift: 5/6 km/h, over 500 mm lift: 3/4 km/h			
Pump motor		1,2 kW 24 V			
Lifting speed with/without load		0,07/0,12 m/s			
Lowering speed with/without load		0,12 / 0,07 m/s			
Weight in kg (no battery)		500 kg	508 kg	540 kg	548 kg



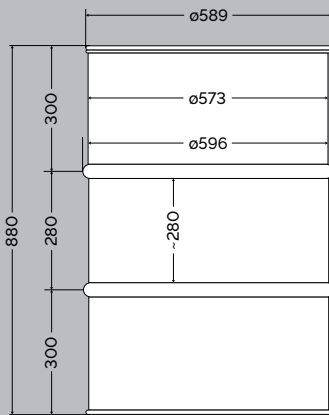
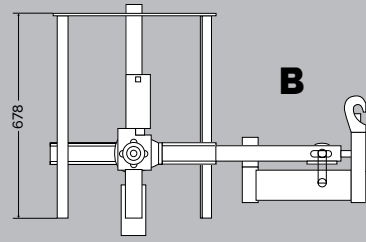
A

Drum turner for standard steel drums (DS/EN 210).

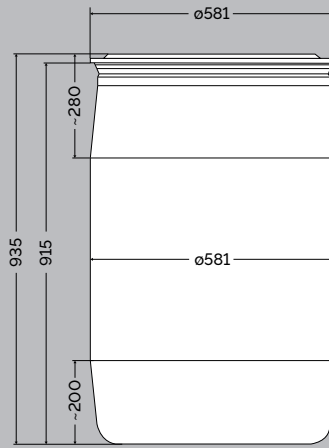


B

Drum turner for standard plastic drums (DS/EN 12707).

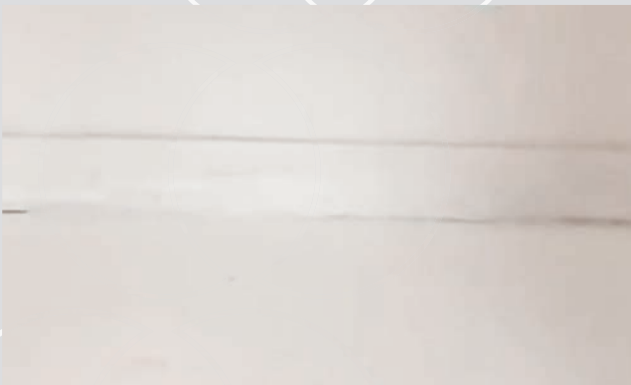


Standard steel drum (DS/EN 210).



Standard plastic drum (DS/EN 12707).

PRODUCT (measured in mm)	MANUAL (EN 210)	ELECTRIC (EN 210)	MANUAL (EN 12707)	ELECTRIC (EN 12707)
Capacity i kg	250 kg	250 kg	250 kg	250 kg
Turning angle	360°	360°	360°	360°
Gear	Manual	12V-200W/24V-200W	Manual	12V-200W/24V-200W
Gearing	1:80	1:912	1:80	1:912
Speed of rotation		1,6 rpm/min		1,6 rpm/min
Distance from floor to drum turner	260	260	260	260



Ergonomic Lifting Equipment

Logitrans A/S

+45 76 88 16 00

info@logitrans.com

www.logitrans.com

